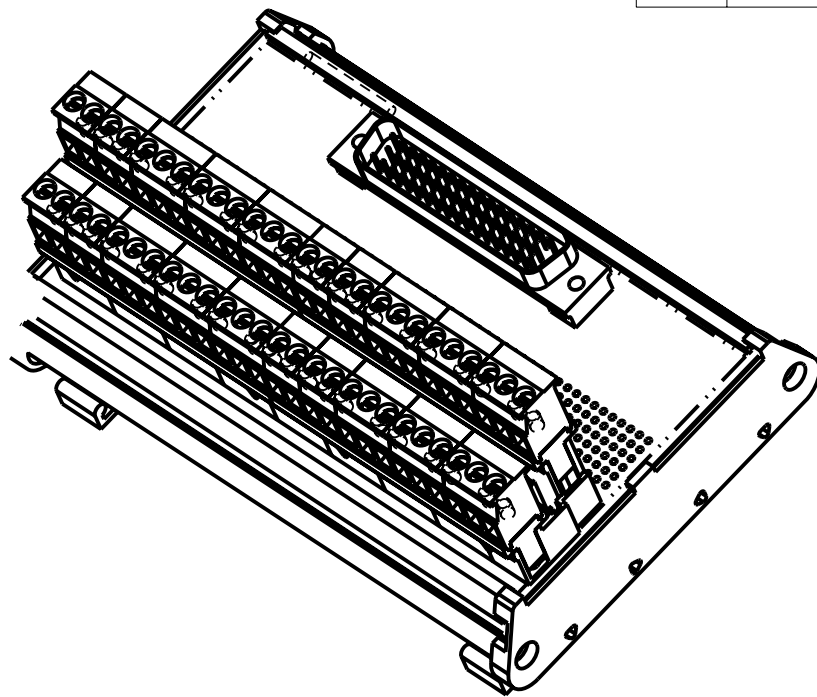
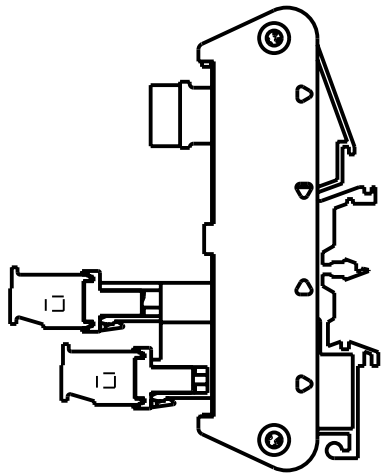
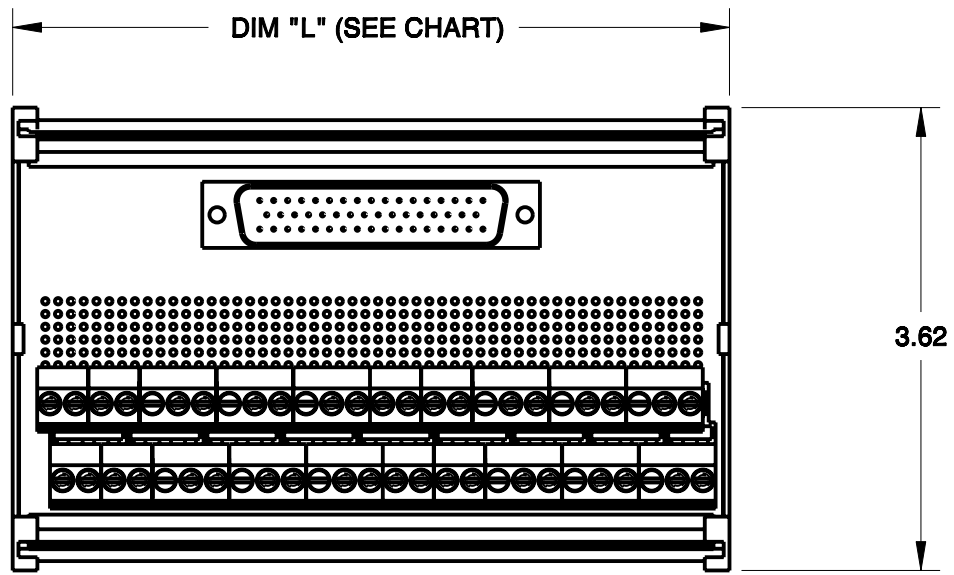


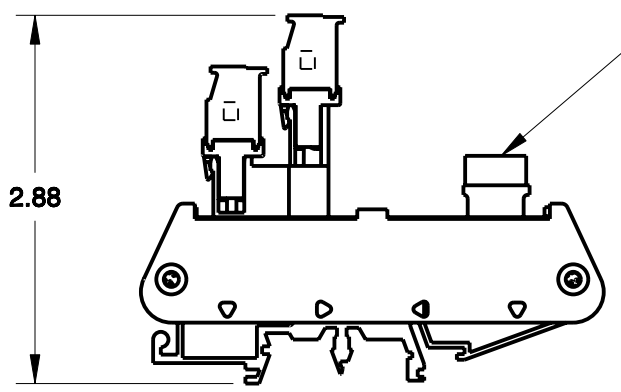
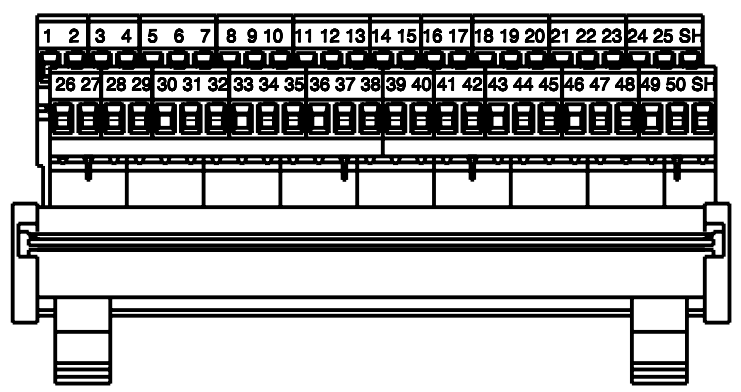
REV	ECN	APP'D
1		



SCALE 2:3

IDSXXXP00

IDSXXXP00



15 PIN D-SUB CONNECTOR
IDS15MP00, MALE
IDS25FP00, FEMALE

25 PIN D-SUB CONNECTOR
IDS25MP00, MALE
IDS25FP00, FEMALE

50 PIN D-SUB
IDS50MP00, MALE
IDS50FP00, FEMALE

CUSTOM SIZES AVAILABLE

NOTES:
1. XX = NUMBER OF CONNECTOR POSITION
(EXAMPLE IDS15MP00, XX = 15 POSITIONS)

PART #	DIM "L"
IDS15MP00	2.00"
IDS15FP00	2.00"
IDS25MP00	3.00"
IDS25FP00	3.00"
IDS50MP00	5.60"
IDS50FP00	5.60"

DIMENSIONS ANSI Y14.5M UNITS: INCHES Pro/E FILE	TOLERANCES .XX ±0.01 .XXX ±0.001 ANGLES ±0.5°	PROJECTION 	Amphenol Pcd SPECIFICATION DRAWING		TITLE 15 - 50 PIN TERMINAL BLOCK TO 15 - 50 PIN D-SUB INTERFACE MODULE	
			DRWN P.CASTRICHINI 30-Jan-08	ENGR	SIZE B	DWG NO. IDSXXXP00
ORIGINAL	THIS DOCUMENT CONTAINS PROPRIETARY INFORMATION WHICH IS THE CONFIDENTIAL PROPERTY OF AMPHENOL PCD, BEVERLY, MA		APPD	CODE: 58982	SCALE: 2:3	SHEET 1 OF 1